

IEC Inlet Locking System IL 19

SCHAFFNER

energy efficiency and reliability

Power Cord with Locking System

IEC
LOCK



- Locking system for standardized IEC C20 inlet
- No accidental disconnection
- Rated current up to 16A (C19 plug)
- Fit to any SCHAFFNER IEC C20 inlet filter
- Retrofit to any IEC C20 inlet
- Various power line plugs for worldwide usage

Approvals



ROHS



Technical specifications

Maximum continuous operation voltage:	250 VAC 50/60 Hz
Rated current:	16 A (IEC)
Operation frequency:	50 to 400 Hz
High potential test voltage:	P → PE 2000 VAC (1 min 50 Hz) P → N 2000 VAC (1 min 50 Hz)
Protection category:	IP20 according IEC 60529
Temperature range (operation and storage):	-25°C to +70°C
Cable:	2 m; 3 x 1.50 mm ² ; H05 VV-F; 6 ft; 3 x AWG14 SJT; black; other lengths or colors on request
Connector (load side):	IEC C19 according to IEC/EN 60320-2-2 with IEC lock, UL 498, CSA C22.2 no. 42 (for cold conditions) pin temperature 70°C, 16 A, Protection Class I
Connector (line side):	C20 according to IEC/EN 60320-2-2; EU Schuko plug CEE7/VII angled; UK plug BS1363 angled; US plug NEMA5-15 straight; other plugs on request
Flammability corresponding to:	Plugs: UL94V-2 or better; Cable: IEC 60332-1 Cat. F2

The locking system has a tensile force of typical 200N. It is recommended to use it with flange mount filters. For details refer to our Application Note „Using IEC Lock Power Cords with IEC Inlets and Filters“

Features and benefits

Schaffner cables with ICE lock guard against accidental disconnection of all electrical appliances with an IEC C20 inlet.
No exchange of the IEC inlet or IEC inlet filter system is needed.
Easy retrofit for all electronic equipment and devices.

- Power cord with locking system for IEC inlets
- Suitable for use with any C20 IEC inlet
- Fits the complete Schaffner IEC inlet filter program with C20 IEC inlet
- Max. pin temperature 70°C

Typical applications

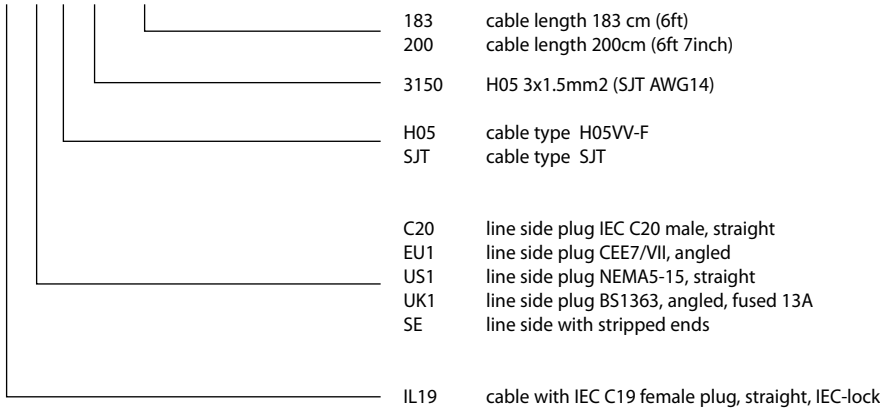
- Data centers
- Industrial equipment
- Medical devices
- In-vitro-devices
- Broadcast stations
- Mobile applications

Cable selection table

IL19-C20-H05-3150-200	IEC cable assembly with locking system for IEC C20 inlet, IEC version
IL19-EU1-H05-3150-200	IEC cable assembly with locking system for IEC C20 inlet, EU version
IL19-US1-SJT-3150-183	IEC cable assembly with locking system for IEC C20 inlet, USA version
IL19-UK1-H05-3150-200	IEC cable assembly with locking system for IEC C20 inlet, UK version
IL19-SE-H05-3150-200	IEC cable assembly with locking system for IEC C20 inlet, stripped ends

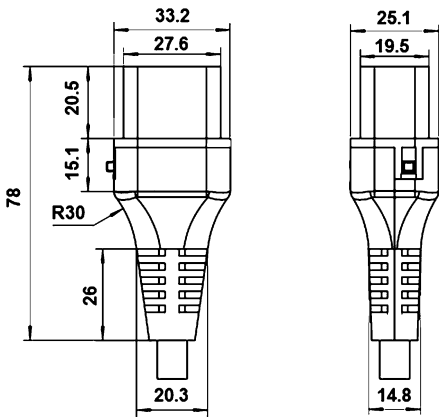
Product selector

ILxx-yyy-zzz-aaaa-bbb

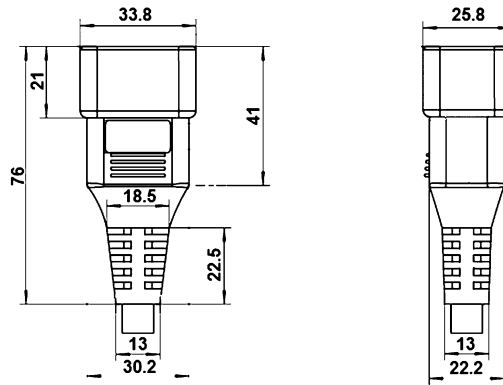


Mechanical data

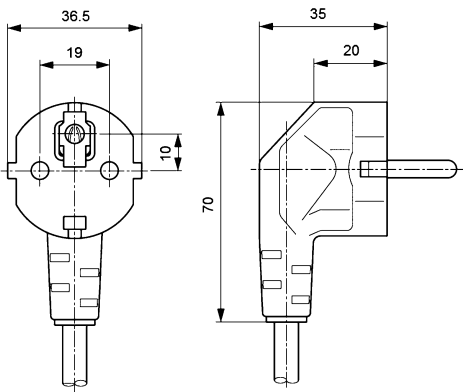
ICE Lock C19



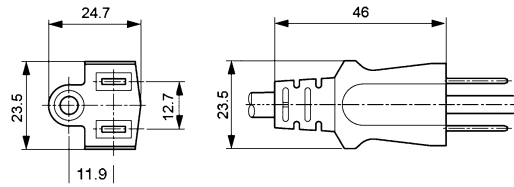
C20



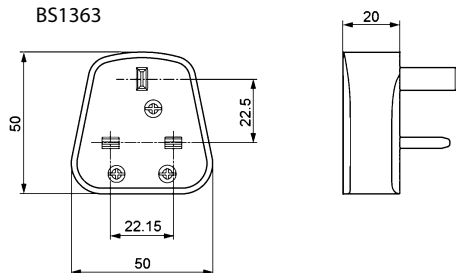
CEE7/VII



NEMA5-15



BS1363



**Headquarters, global innovation
and development center**

Schaffner Group
Nordstrasse 11
4542 Luterbach
Switzerland
T +41 32 681 66 26
F +41 32 681 66 30
info@schaffner.com
www.schaffner.com

To find your local partner within
Schaffner's global network, please go to
www.schaffner.com

© 2013 Schaffner Group
Specifications are subject to change
within notice. The latest version of the
data sheets can be obtained from the
website. All trademarks recognized.

Schaffner is an ISO-registered company.
Its products are designed and
manufactured under the strict quality
and environmental requirements of
the ISO 9001 and ISO 14001 standards.

This document has been carefully
checked. However, Schaffner does not
assume any liability for errors or
inaccuracies.

Sales and application centers

China
Schaffner EMC Ltd. Shanghai
T20-3, No 565 Chuangye Road
Pudong New Area
Shanghai 201201
T +86 21 3813 9500
F +86 21 3813 9501 / 02
cschina@schaffner.com
www.schaffner.com

Finland
Schaffner Oy
Sauvonrinne 19 H
08500 Lohja
T +358 19 35 72 71
F +358 19 32 66 10
finlandsales@schaffner.com

France
Schaffner EMC S.A.S.
112, Quai de Bezons
95103 Argenteuil
T +33 1 34 34 30 60
F +33 1 39 47 02 28
francesales@schaffner.com

Germany
Schaffner Deutschland GmbH
Schoemperlenstrasse 12B
76185 Karlsruhe
T +49 721 56910
F +49 721 569110
germanysales@schaffner.com

Italy
Schaffner EMC S.r.l.
Via Galileo Galilei, 47
20092 Cinisello Balsamo (MI)
T +39 02 66 04 30 45/47
F +39 02 61 23 943
italysales@schaffner.com

Japan
Schaffner EMC K.K.
Mitsui-Seimei Sangenjaya Bldg. 7F
1-32-12, Kamiyuma, Setagaya-ku
Tokyo 154-0011
T +81 3 5712 3650
F +81 3 5712 3651
japansales@schaffner.com
www.schaffner.jp

Singapore
Schaffner EMC Pte Ltd.
Blk 3015A Ubi Road 1
05-09 Kampong Ubi Industrial Estate
T +65 6377 3283
F +65 6377 3281
singaporesales@schaffner.com

Spain
Schaffner EMC España
Calle Caléndula 93
Miniparc III, Edificio E
El Soto de la Moraleja
Alcobendas
28109 Madrid
T +34 618 176 133
spainsales@schaffner.com

Sweden
Schaffner EMC AB
Turebergstorg 1, 6
19147 Sollentuna
T +46 8 5792 1121 / 22
F +46 8 92 96 90
swedensales@schaffner.com

Switzerland
Schaffner EMV AG
Nordstrasse 11
4542 Luterbach
T +41 32 681 66 26
F +41 32 681 66 41
sales@schaffner.ch

Taiwan
Schaffner EMV Ltd.
6th Floor, No 413
Rui Guang Road
Neihu District
Taipei City 114
T +886 2 87525050
F +886 2 87518086
taiwansales@schaffner.com

Thailand
Schaffner EMC Co. Ltd.
Northern Region Industrial Estate
67 Moo 4 Tambon Ban Klang
Amphur Muang P.O. Box 14
Lamphun 51000
T +66 53 58 11 04
F +66 53 58 10 19
thailandsales@schaffner.com

UK
Schaffner Ltd.
5 Ashville Way
Molly Millars Lane
Wokingham
Berkshire RG41 2PL
T +44 118 9770070
F +44 118 9792969
uksales@schaffner.com
www.schaffner.uk.com

USA
Schaffner EMC Inc.
52 Mayfield Avenue
Edison, New Jersey 08837
T +1 732 225 9533
F +1 732 225 4789
usasales@schaffner.com
www.schaffner.com/us